



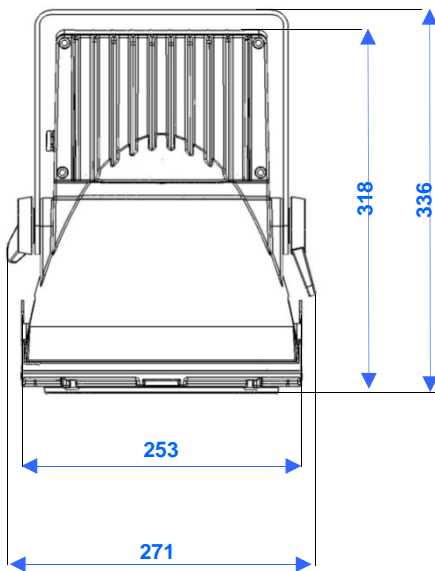
### Technical Specification

Water protected fixture for use with LED. Powder coated aluminum body and bracket. Tool-less change of LED-pack and optics. Handles for simple adjustment. Electronic ballast in back compartment. Quick release between fixture and mains for fast maintenance. Membrane ventilators to remove moisture and equalize pressure. Integrated anti glare ring and lens protection. Rectangular light pictures via patented prismatic lens system. Modular optical and light-engine (LED) unit with quick release. Rugged construction – heavy vibration resistance. Marine and Military grade shock resistance.

### Use areas

Mound masts (4-24m), RTG cranes, workshops, warehouses, mobile equipment, perimeter lights, railroad terminals, heavy industry, marine environments, greenhouses, zoo, machine rooms.

Suitable to use for emergency lights together with Central Battery Systems (CBS) since it can run on DC (as well as AC).

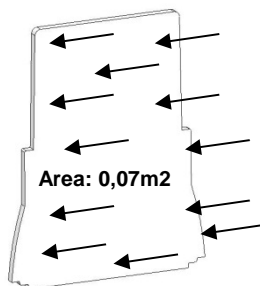
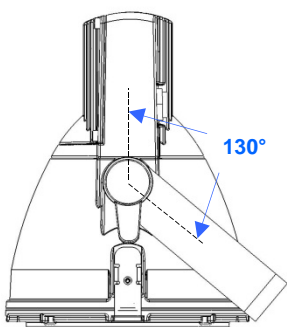


### Technical Data

Mains (input) voltage	220-240 VAC and/or DC.
Total weight	6 kg fixture.
Form of protection	IP 66, class I, D-class, S-mark, CE-mark.
Temp. tolerance	+50°C till -30°C
Color temperature	3000° K
Color rendering	Ra 80+
Lumen efficiency	ca. 80 lumen/Watt
Light-source life exp.	30-50 000 hours
Lamp type	LED 38W
Operating position	Universal
Energy consumption	38 W
Start time	1 sec. to full lumen output
Ballast	Internal electronic ballast
Safety glass	Included (prismatic lens)
Reflector	High quality anodized aluminum
Light dissemination	Several rectangular light pictures depending on use (15° to 155° dissemination). Contact us for light calculations or light data to use in calculation programs.

### Product number:

PL03813, PL03836, PL03869, PL038411, PL038314, PL038315



VIS Visual Indicating System

