



Technical Specification

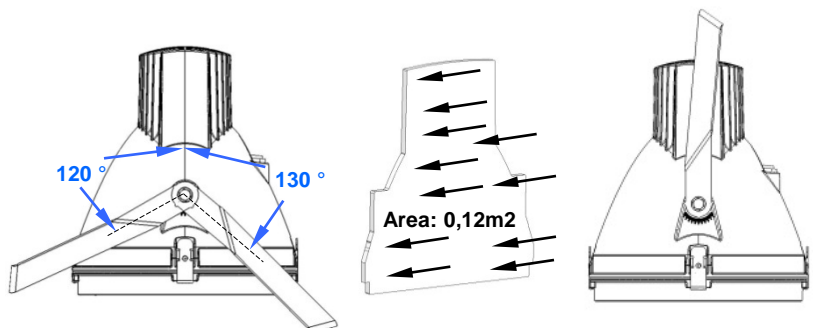
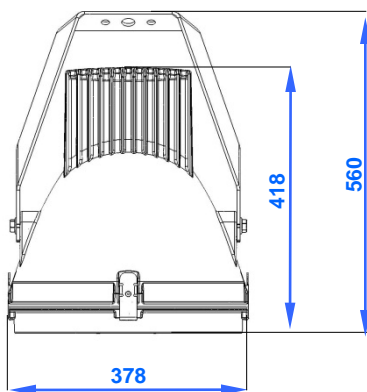
Water protected fixture for use with ceramic metal halogen discharge lamp. Powder coated aluminum body and steel bracket. Tool-less change of light sources and optics. Degree markings for simple adjustment. Electronic ballast in separate water safe casing. Quick release between fixture and ballast for fast service and assembly. Membrane ventilators to remove moisture and equalize pressure. Built-in glare ring and lens protection. Rectangular light picture via a patented prismatic lens system.

Use areas

Mound masts (24-50m), Container crane, mound stocks, workshops, arenas, ski slopes.

Technical Data

Mains (input) voltage	220-240 V
Total weight	9 kg fixture + 4 -5 kg ballast in IP66 casing.
Form of protection	IP 66, class II
Temp. tolerance	+50°C till -30°C
Color temperature	4 200° K
Color rendering	Ra 90+
Lumen efficiency	100 -115 lumen/Watt
Light-source life exp.	20 000 – 24 000 hours
Lamp type	CDM-T 150W, 210W or 315W
Operating position	Universal
Lamp seat	G12 (150W) or PGZ18 (210W and 315W)
Energy consumption	163 W, 222W or 327W
Start time	Ca. 3 minutes to full lumen output
Ballast	Extern Electronic ballast
Safety glass	Included (prismatic lens)
Reflector	High quality anodized aluminum, parabolic
Light dissemination	Several rectangular light pictures depending on use (15° to 140° dissemination). Contact us for light calculations or light data to use in calculation programs.



Article numbers:

S15013, S15069M, S150692, S150314 (150W)
 S21013, S21069M, S210692, S210314 (210W)
 S31513, S31569M, S315692, S315314 (315W)